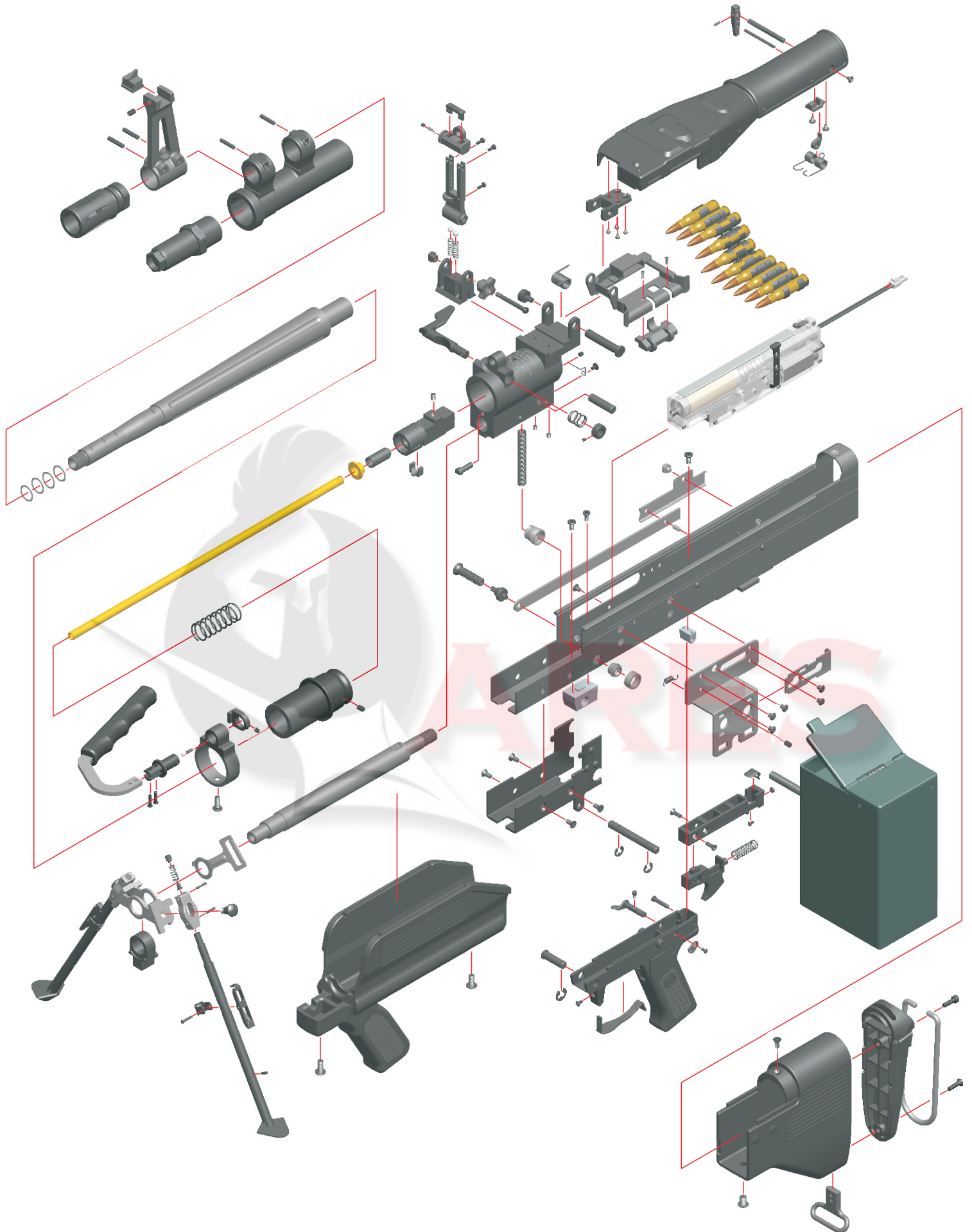
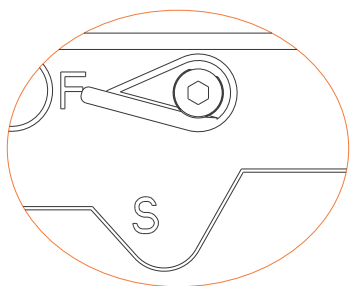


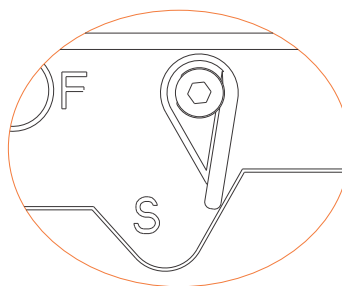
M60 E4 EXPOSE PLAN



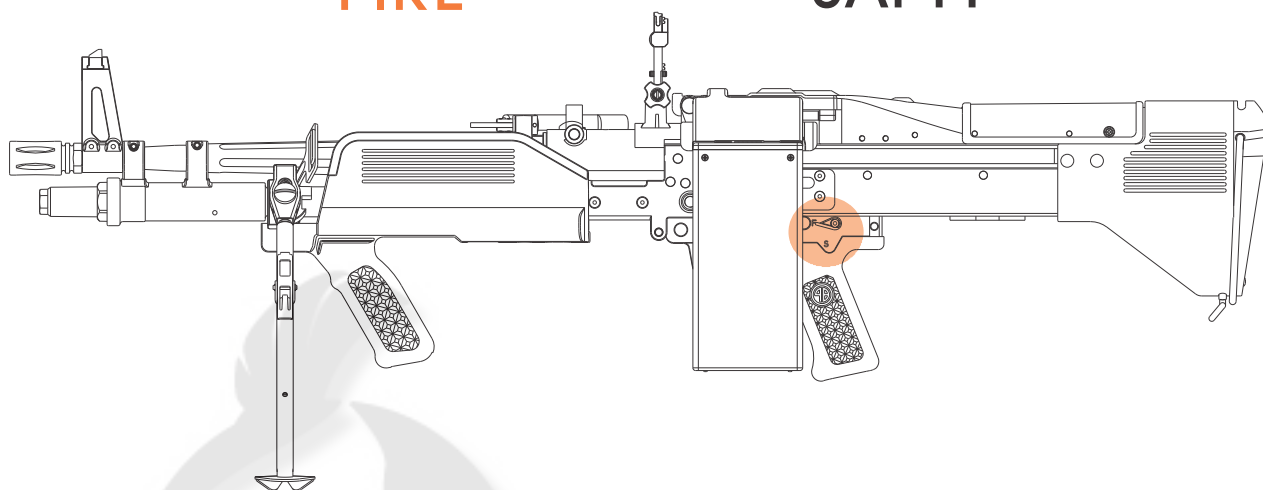
SAFETY MODE



FIRE

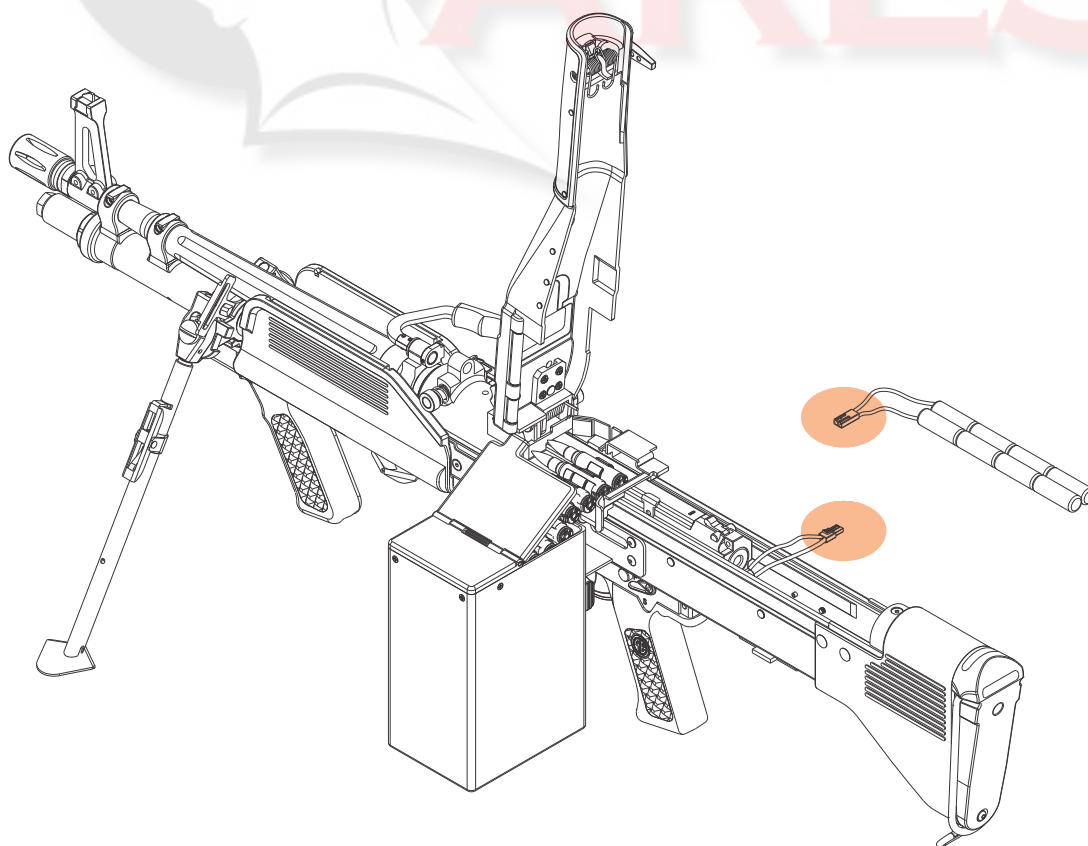


SAFTY

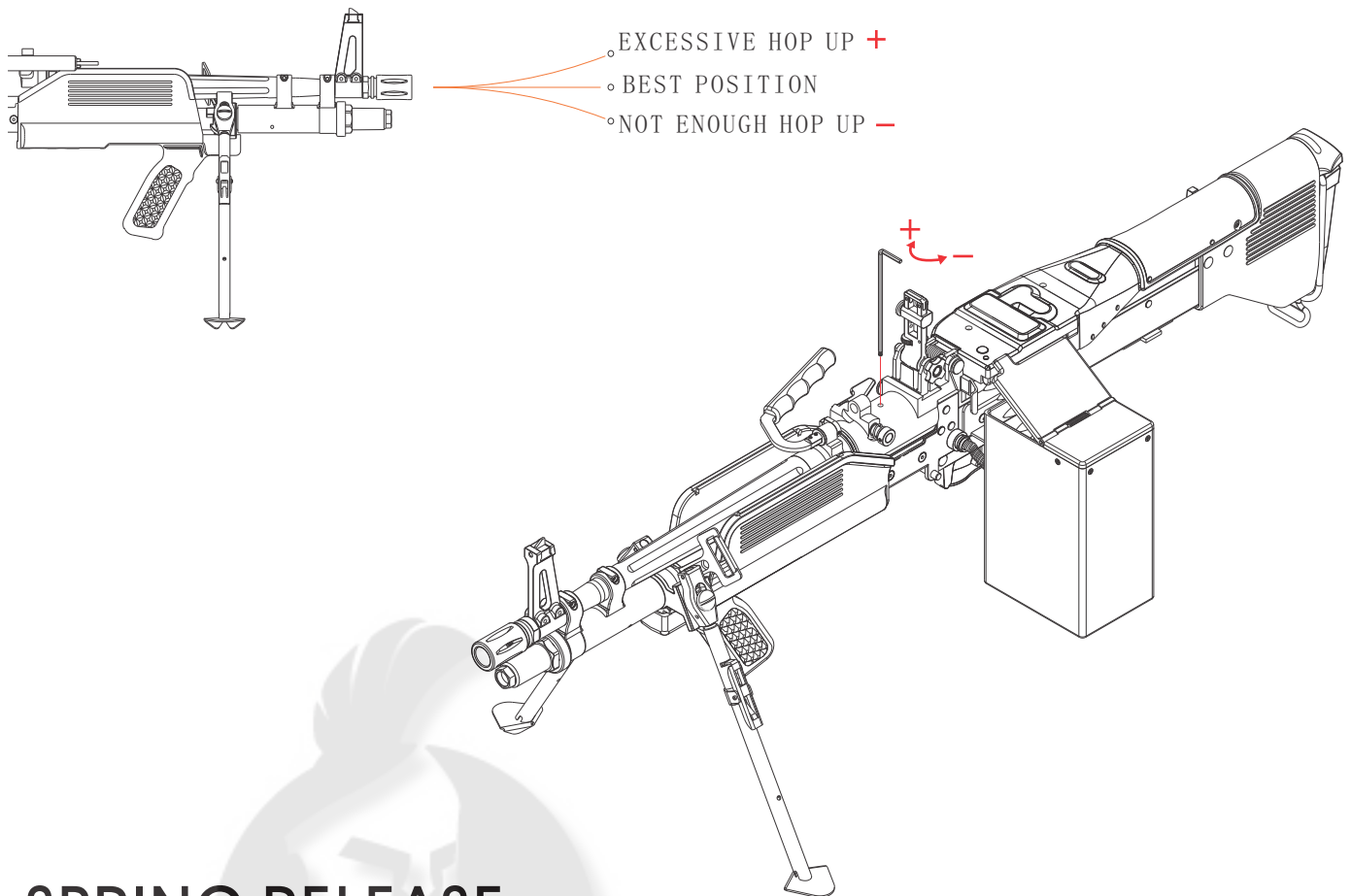


BATTERY INSTALLATION

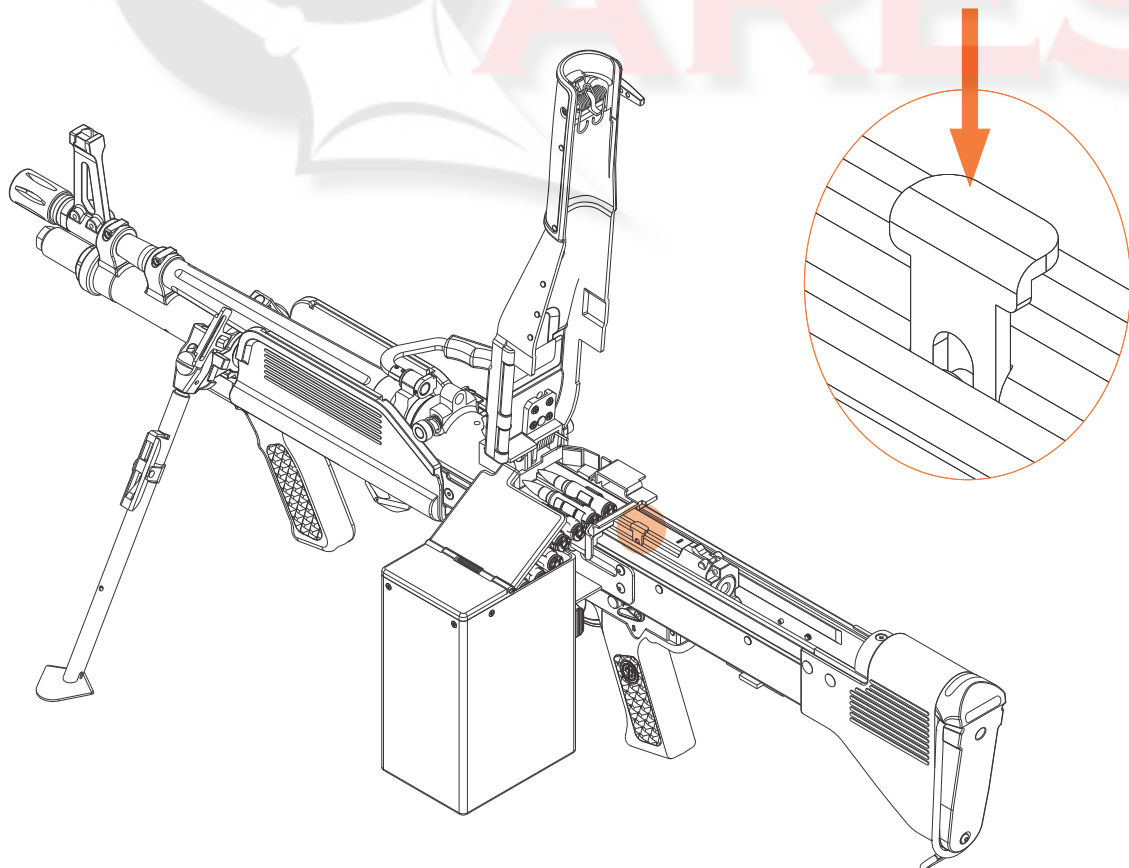
USE THE SPECIFIED BATTERY FOR YOUR GUN 9.6V 3300MAH



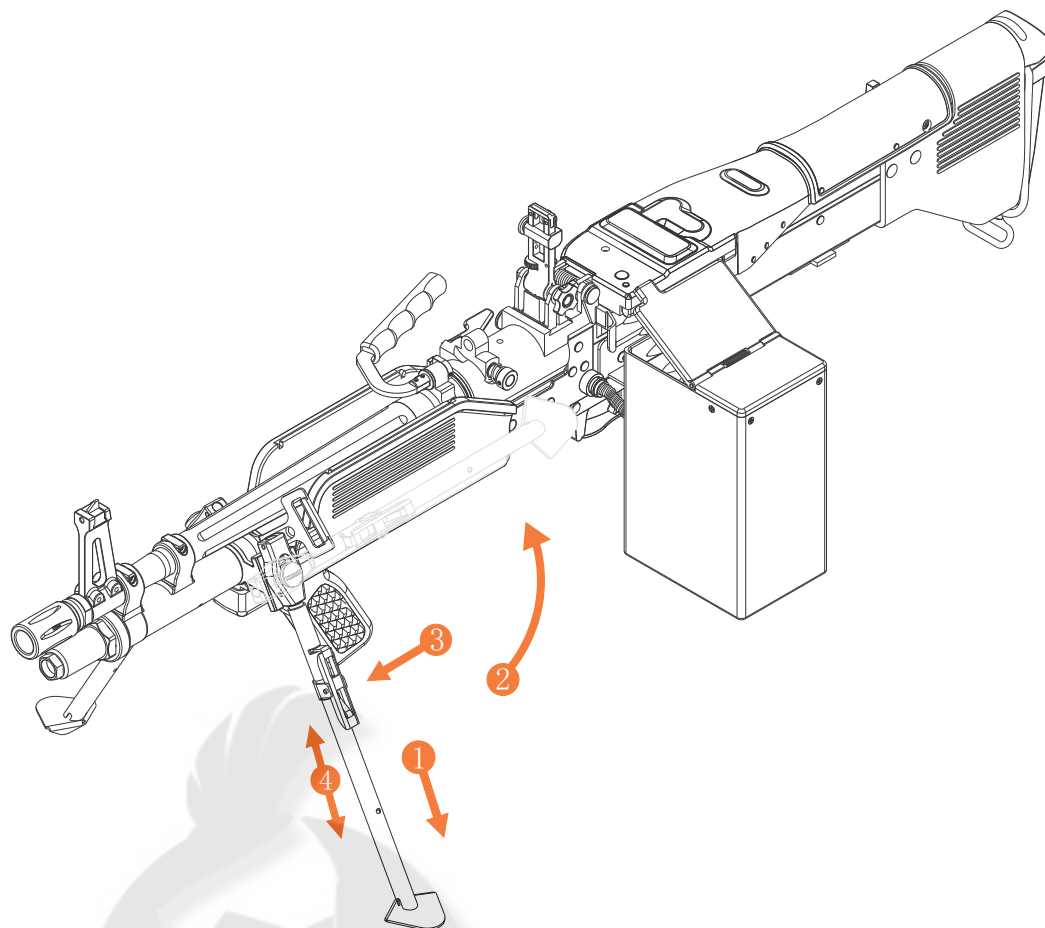
HOP-UP ADJUSTMENT



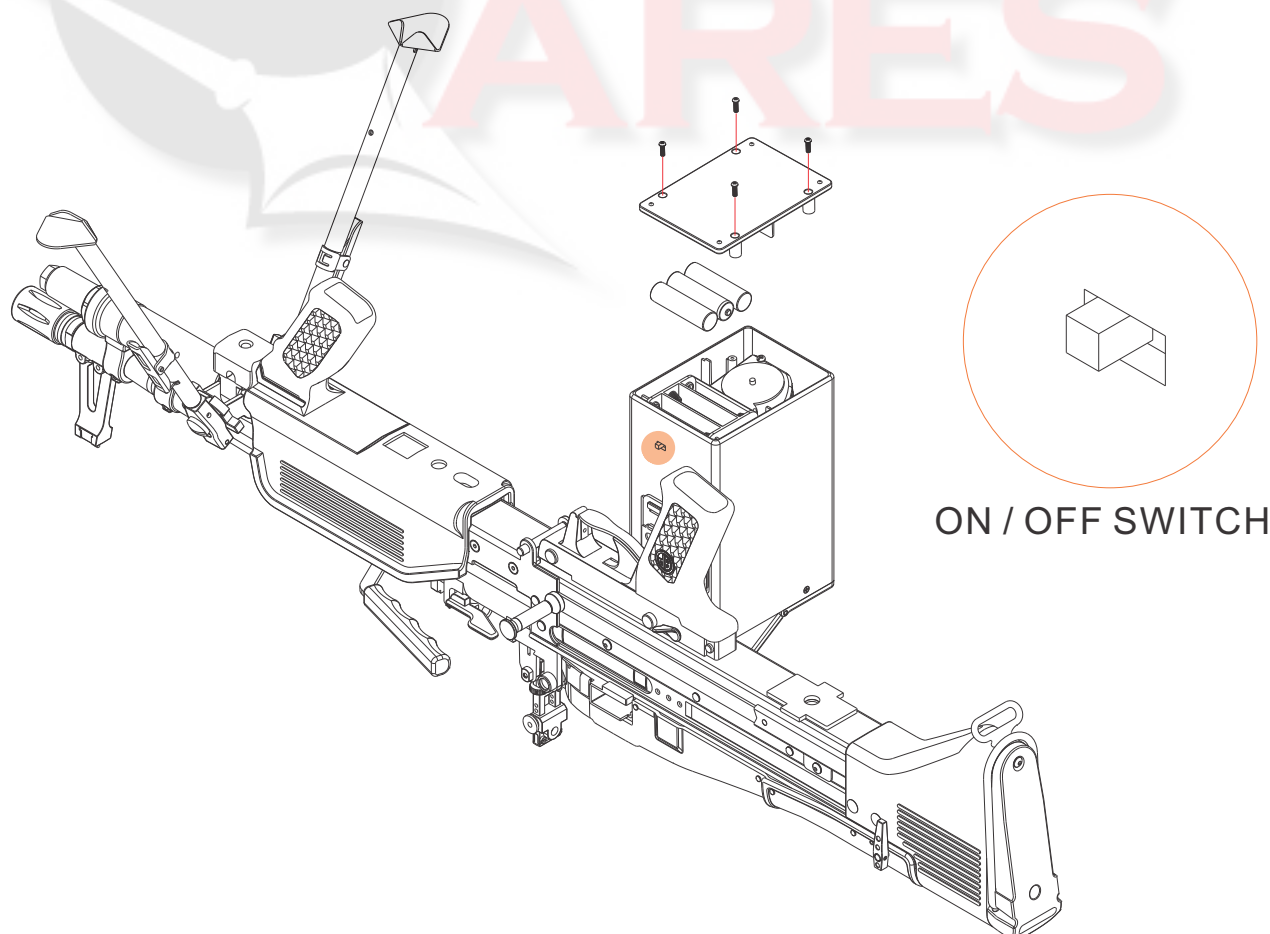
SPRING RELEASE



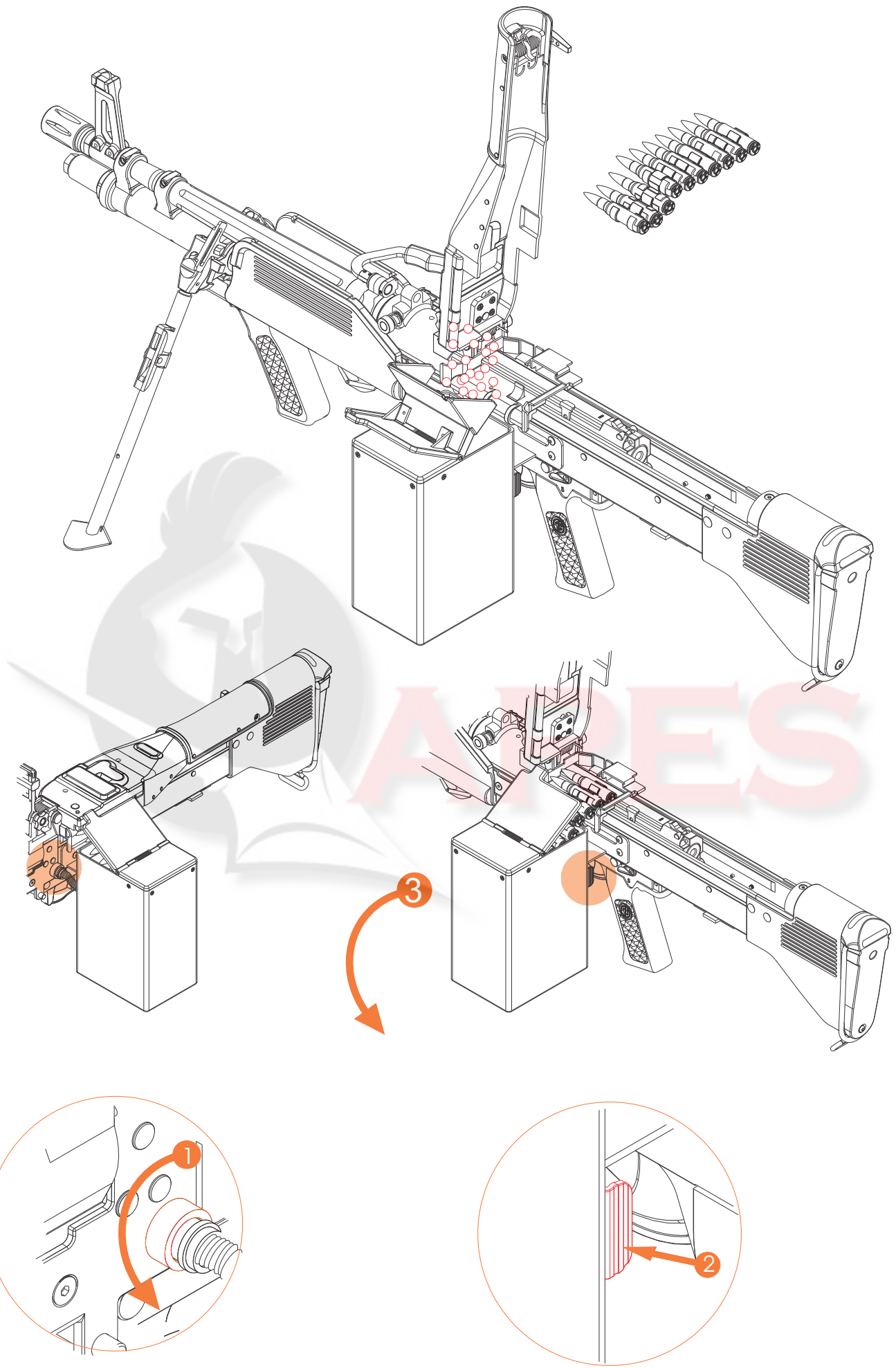
UNDERPROP ADJUSTMENT



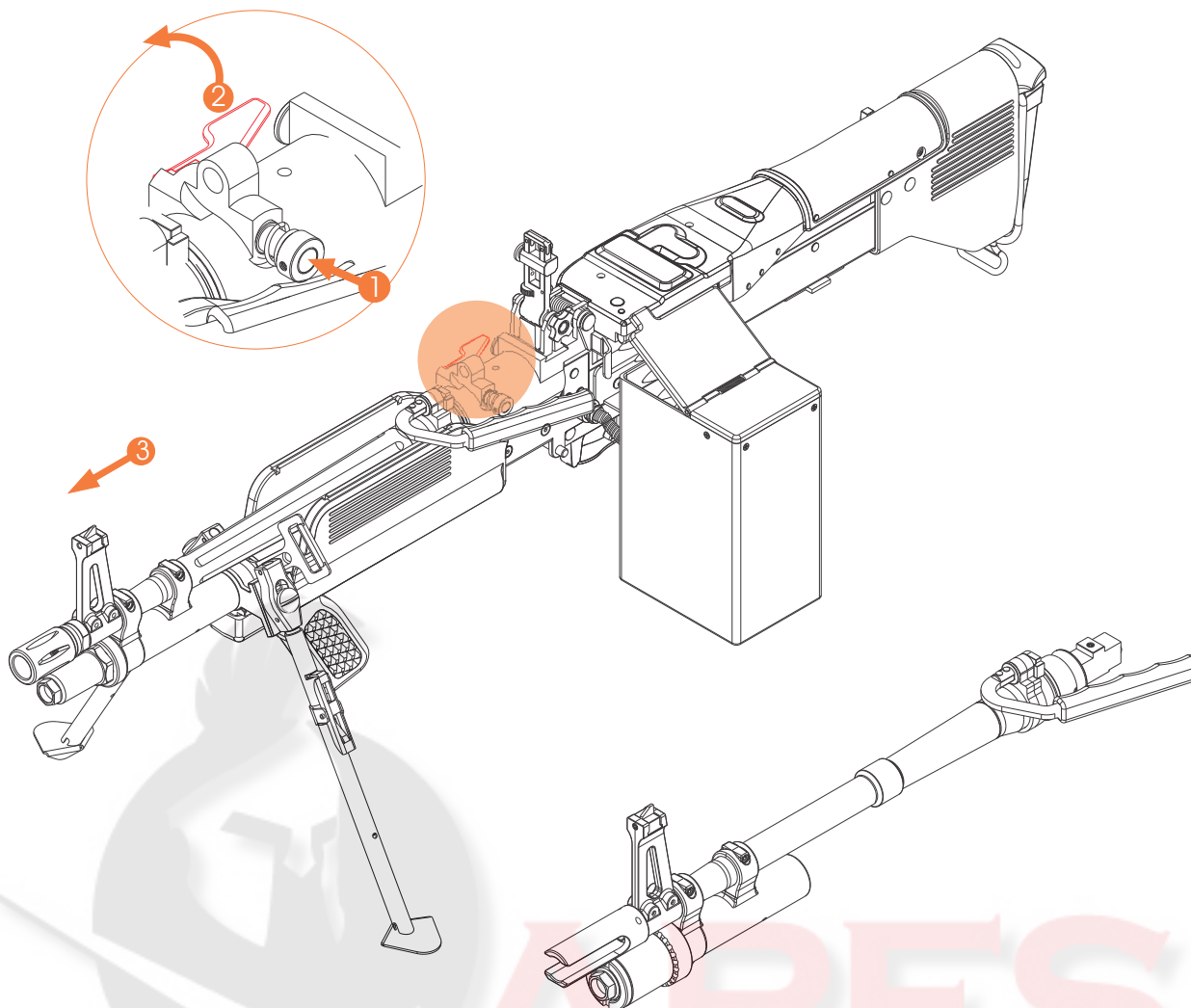
BOX MAGAZINE BATTERIES INSTALLATION



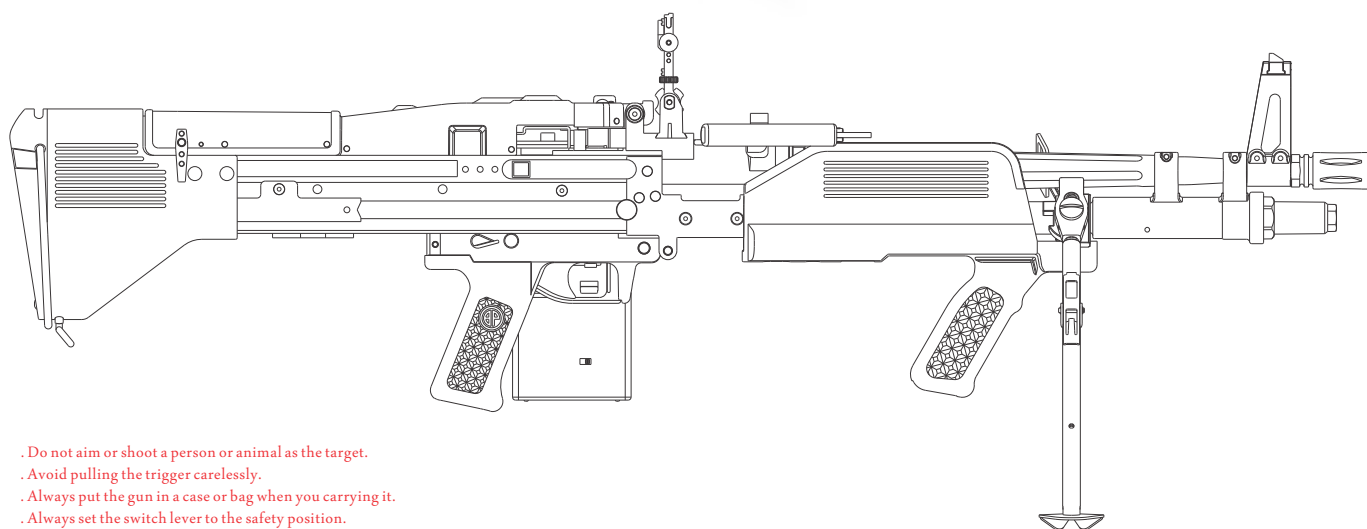
BOX MAGAZINE LOADING & RELEASE



BARREL REPLACEMENT



WARNING



- . Do not aim or shoot a person or animal as the target.
- . Avoid pulling the trigger carelessly.
- . Always put the gun in a case or bag when you carrying it.
- . Always set the switch lever to the safety position.
- . Do not look into the gun muzzle.
- . Always wear eye protective gear.
- . Store the airsoft gun at the places out of reach by children.
- . Do not disassemble or modify the airsoft gun.

...

DATA OF ARES M60E4 ELECTRIC GUN

**MATERIAL: NYLON FIBER, STEEL &
ALUMINUM ALLOY**

HOPUP SYSTEM: ADJUSTABLE

LENGTH: 925MM

WEIGHT: 4500G

MAGAZINE CAPACITY: 26+0 ROUNDS

BULLET: 6MM BB BULLETS

BATTERY: 9.6V 3300MAH

MOTOR: HIGH TORQUE FLAT MOTOR

